
OPERATING MANUAL

English

Oil-Free Piston Vacuum Pump

V300 / V400/ V600 / V410 / V610

V430 / V800/ V810



WIGGENS
THE MAGIC MOTION

Room 303, Hall C, Office
Building M8, No.1 Jiuxianqiao
East Road, Chaoyang District,
Beijing 100015, China

Tel: +86 400-809-2068

Fax: +86 400-809-2068-112

info@ wiggins.com

service@wiggins.com

www.wiggins.com

Congratulations!

You have made an excellent choice.

WIGGENS thanks you for the trust you have placed in us.

This operating manual has been designed to help you gain an understanding of the operation and possible applications of our instruments. For optimal utilization of all functions, we recommend that you thoroughly study this manual prior to beginning operation.

Declaration of conformity EN

**We declare under our sole responsibility that this product corresponds to the directives and conforms to the following standards or normative documents:
EN ISO**

The WIGGENS Quality Management System



ISO 9001

Certificate Registration No. 01 100084841

Unpacking and Inspecting

Please unpack the device carefully. Check that the package is right-side-up and then open it. Check that model of the product is one that you ordered. Check that there is no damage. If there is any damage, file a damage claim with the carrier. In the case of any damage a damage report should be requested immediately. These instructions must be followed fully for us to guarantee our full support of your claim for protecting against loss from concealed damage. The form required for filing such a claim will be provided by the carrier.

Printed in China

Changes without prior notification reserved

Important: keep operating manual for future use

Content

1. Intended Use	5
2. Operator Responsibility	6
2.1. Disposal	7
2.2. CE Conformity.....	7
2.3. Technical Specifications.....	7
3. Safety Instructions.....	9
3.1. Explanation of Safety Notes.....	9
3.2. For Your Protection	9
3.3. For protection of the equipment	11
4. Operating Procedures	12
4.1. Environmental Operating Conditions	12
4.2. Design and Function	12
4.3. Installation of the vacuum pump	12
4.4. Operation	14
4.4.1. Operation of the V300 Vacuum Pump	14
4.4.2. Operation of the V400 Vacuum Pump	15
4.4.3. Operation of the V600 Vacuum Pump	16
4.4.4. Operation of the V410 Vacuum Pump	17
4.4.5. Operation of the V610 Vacuum Pump	18
4.4.6. Operation of the V430 Vacuum Pump	19
4.4.7. Operation of the V800 Vacuum Pump	20
4.4.8. Operation of the V810 Vacuum Pump	21
4.5. Parts List.....	22
4.5.1. Part list of V300	22
4.5.2. Part list of V400	24
4.5.3. Part list of V600	25
4.5.4. Part list of V410	27
4.5.5. Part list of V610	29
4.5.6. Part list of V430	31
4.5.7. Part list of V800	33

4.5.8. Part list of V810	35
5. Cleaning and Maintenance.....	37
5.1. Routine Cleaning	37
5.2. Maintenance	38
6. Transport and Storage	39
7. Accessories and Spare Parts	40
7.1. Non-Chemical-Resistant Filtration Device/ Foot Pedal	40
7.2 Tubing.....	40
8. Service	42
8.1. Trouble-Shooting.....	42
8.2. Warranty	43
8.3. Contact/Technical Service	43

1. Intended Use

The V300 / V400 / V600 / V410 / V610/ V430 / V800/ V810 is an oil-free vacuum pump designed for the use in laboratory. It uses piston motion for vacuum creation and therefore creates only minimal noise when in operation mode. The V300 / V400 / V600 / V410 / V610/ V430 / V800/ V810 is suitable for common gases, but not for acidic gases or direct liquid suction. However, it is perfectly suitable for vacuum filtration purposes. The WIGGENS oil-free vacuum pumps are designed for safe and efficient operation when used properly and in accordance with this manual. It is the responsibility of the user to carefully read and strictly observe all safety precautions described in this section and throughout the manual. This product must be operated and maintained by trained personnel only.

Failure to observe the following precautions could result in serious personal injury.

Never pump toxic, explosive, flammable, corrosive gases, chemicals, solvents or powders. Flowing substances, explosion or fire can cause bodily injury. Install the pump in an area without explosive or flammable substances. Otherwise, it can cause explosion or fire. Ask a specialist to perform repairs. Otherwise there exists the risk that the pump may fail, is damaged or its service life is severely reduced. Trained customers may perform maintenance themselves.

2. Operator Responsibility

The *WIGGENS* products ensure safe operation when installed, operated, and maintained according to safety regulations. This section explains the potential dangers that may arise when operating the instrument and also specifies the most important safety precautions to preclude these dangers as far as possible.

- The operator is responsible for the qualification of the personnel operating the instrument.
- The operator should be regularly instructed about the dangers involved with their job activities as well as measures to avert these dangers.
- Make sure all persons tasked with operating, installing, and maintaining the instrument have read and understand the safety information and operating instructions.
- When using hazardous materials or materials that could become hazardous, the instrument may be operated only by persons who are absolutely familiar with these materials and the instrument. These persons must be fully aware of possible risks.
- Only qualified personnel are authorized to perform configuration, installation, maintenance and repairs of the instrument.
- Routine operation can also be carried out by untrained personnel who should however be instructed by trained personnel.
- Do not pump hazardous gases to humans, or explosive, flammable, toxic or corrosive gases or substances which contain chemicals, solvents or powders. Pumping such gases can cause bodily injury from exposure to harmful substances, explosion or fire.
- Never put your fingers or foreign matter into ventilation holes of the fan cover, motor set or clearance between cooling fans of stage 1 and stage 2. If done, you can injure your fingers or foreign matter can blow into your eyes.


If you have any questions concerning the operation of your instrument or the information in this manual, please contact WIGGENS.

2.1. Disposal



At the end of its service life the instrument is to be disposed of in accordance with the local regulations specified for the disposal of electronic industry waste in an environmentally friendly manner.

2.2. CE Conformity

	<p>The products described in the operating instructions conform to the requirements of the following European guidelines:</p> <p>Low voltage regulations with respect to legal harmonization of the member countries concerning electric devices for use within certain voltage limits.</p> <p>EMC guideline with respect to legal harmonization of the member countries concerning electromagnetic compatibility.</p>
<p>APPROVALS European</p>	<p>Certificate Registration No.:M8A.15.12.91548.001</p> <p>Tested according to : EN 1012-2:1996/A1:2009 EN 60204-1:2006/A1:2009</p>

2.3. Technical Specifications

Model	V300	V400	V600	V410	V610	V430	V800	V810
Max. power (W)	65	100	190	100	190	147	220	220
Max. current (A)	0.9	1.2	1.7	1.2	1.7	1.5	1.7	1.7
Ultimate Vacuum (mbar)	100	100	100	30	30	150/5.5 bar (pressure)	100	30
Max. Flow Rate	17	34	60	19	40	28	80	50

(L/min)								
Outlet (mm)	9	9	9	9	9	9	9	9
Motor Speed (rpm)	1450	1450	1450	1450	1800	1450	1450	1450
Weight (kg)	4.1	5.2	8.6	4.1	3.5	5.5	8.6	8.6
Noise Level (dB)	50	60	52	50	52	50	52	52
Basic Order Number	16730 0	16740 0	16760 0	16741 0	16761 0	167430	16780 0	16781 0

All measurements have been carried out at the stated voltage, frequency, and an ambient temperature of 25°C.

Technical changes without prior notification reserved.






WIGGENS Order Numbers consist of the Basic Order Number (BON) and the Order Number Addition (ONA) which explains different characteristics of the product that can vary from country to country. Order Numbers as stated on the product label and box label are stated as Full Order Numbers (FON), consisting of the BON followed by the ONA. For a full explanation of the ONA of your product, please ask your local *WIGGENS* support or refer to the Order Number Guide in the *WIGGENS* General Catalog.

3. Safety Instructions





3.1. Explanation of Safety Notes


In addition to the safety warnings listed, warnings are posted throughout the operating manual. These warnings are designated by an exclamation mark inside an equilateral triangle. “Warning of a dangerous situation (Attention! Please follow the documentation).”

Symbol	Additional term / Description
	<p>Warning signs The danger is classified using a signal word. Read and follow these important instructions for averting dangers.</p> <p>Warning! Describes a possibly highly dangerous situation. If these instructions are not followed, serious injury and danger to life could result.</p> <hr/> <p>Caution! Describes a possibly dangerous situation. If this is not avoided, slight or minor injuries could result. A warning of possible property damage may also be contained in the text.</p> <hr/> <p>Notice! Describes a possibly harmful situation. If this is not avoided, the product or anything in its surroundings can be damaged.</p>
	<p>Note! Draws attention to something special.</p>
	<p>Important! Indicates usage tips and other useful information.</p>


3.2. For Your Protection

- Make sure you read and understand all instructions and safety precautions listed in this manual before installing or operating your instrument.

- Keep the operation instructions in a place where they can be accessed by everyone.
- Connect the instrument to a power socket with earthing contact (PE-protective earth).
- The power supply plug serves as a safe disconnecting device from the line and must always be easily accessible.
- Do not stay in the area below the instrument.
- Make sure the product is checked for proper condition regularly (depending on the conditions of use). Regularly check (at least every 2 months) the proper condition of the mandatory, warning, prohibition and safety labels.
- Never operate damaged equipment.
- Always turn off the instrument and disconnect the mains cable from the power source before performing any service or maintenance procedures, or before moving the instrument.
- Transport the instrument with care.
- Never operate instruments with damaged mains power cables.
- Observe all warning labels.
- Never remove warning labels.
- Repairs are to be carried out only by qualified service personnel
-  **Warning !** Never use the pump with any flammable gas or toxic material.
-  **Warning !** Before using a medium, check whether the medium can be transferred danger-free in the specific application case.
-  **Warning !** Ensure that the system is not subject to any risks of explosion, also in extreme operating situations (temperature, pressure) or in case of malfunctions.
-  **Warning !** Only transfer gases which remain stable under the Vacuum and temperatures occurring in the pump.
- Laboratory equipment or additional components connected to a pump have to be suitable for use with the pneumatic capabilities of the pump

-  **Warning !** Make sure the temperature of the medium is always sufficiently below the ignition temperature of the medium, to avoid ignition or explosion.
- If necessary, consider any external sources of energy, such as radiation, that may add heat to the medium.

3.3. For protection of the equipment

- You have received a product designed for industrial and experimental use. Nevertheless, avoid strikes to the housing, vibrations, damage to the operating-element panel, and contamination.
- Make sure that the mains power supply has low impedance to avoid any negative effects on instruments being operated on the same mains.
- Do not expose the unit to sunlight.
- Sudden drops may cause damage in the interior of the instrument.
- When finished with the pumping operation, do not turn off the pump at once but continue to run the vacuum pump for at least two minutes in order to draw out the mist and tiny liquids to prolong the service life of the pump.
- The filter cartridge (optional) is used to absorb moisture and dust. Replace it when it is saturated to maintain a high pumping efficiency.
- Never use the pump with any flammable gas or toxic material.
- Press the power switch to interrupt the pump, rather than disconnect the main power plug directly.
- When in an emergency, disconnect the main power plug.
- Protect the pump from vibrations, jolts and external damage.
- The pump is not recommended for use underground.
- The pump is not suitable for transferring dusts.
- The pump is not suitable for transferring liquids.
-  **Warning !** An overpressure must not be applied to the suction side of the pump.
- The pumps must not be modified. If a wearing part is replaced, the original

function of the pump must be checked by reaching the specified ultimate vacuum.

4. Operating Procedures

4.1. Environmental Operating Conditions

The vacuum pump must operate in the following conditions:

- Indoors
- Altitudes up to 2000 meters
- Temperatures from +5°C to +40°C
- Maximum relative humidity 80% for temperatures up to +31°C, linear decrease down to 50% relative humidity at a temperature of +40°C
- Max. mains fluctuation of $\pm 10\%$ are permissible
- Protection class according to EN 60 529: IP31
- The unit corresponds to Class I
- Overvoltage category II

4.2. Design and Function

Oil-Free Piston Vacuum Pump use for transfer, evacuate gases and vapors.

The piston is moved up and down by the connecting rod, in the downward stroke it aspirates the gas to be transferred via the inlet valve. In the upward stroke, the piston presses the medium out of the pump head via the outlet valve.

4.3. Installation of the vacuum pump

- Place the vacuum pump on a stable, flat surface and proper environment for operation.
- Connect the vacuum pump to a power socket with earthing contact.



Caution!

- Do not use voltages that are higher or lower than 10% of the voltage specified on the label, which is on the backside of the instrument.
- The vacuum pump is not corrosion resistant. Do not operate it with corrosive gases directly
- When the pump is used in water filtration, prevent the liquid level in the flask / waste bottle from exceeding the safety level. Failure to comply can result in serious damage to the pump and void the warranty.
- If the pump fails to work during operation, first release the vacuum, and then turn it on again. Failure to comply may result in overloading and damage to the motor.
- Do not use any lubricant which may damage the pump.
- Use the pump in a dry, clean, and well-ventilated area.

4.4. Operation

4.4.1. Operation of the V300 Vacuum Pump

1. Diagram with Descriptions



No. / Description	No. / Description
1. Power Switch	6. Vacuum Gauge
2. Handle	7. Cartridge
3. Outlet	8. Moisture Trap
4. Regulator	9. Regulator Valve
5. Inlet	10. Rubber Stand

2. Start-Up of the Vacuum Pump

- a. Connect a fitting tubing (Inner Diameter: 6mm) to the Inlet (5).
- b. Press the Power Switch (1) to activate the vacuum suction
- c. Adjust the Regulator Valve (9) in order to alter the vacuum
- d. Use the Vacuum Gauge (5) for monitoring the pressure level

4.4.2. Operation of the V400 Vacuum Pump

1. Diagram with Descriptions



No. / Description	No. / Description
1. Power Switch	5. Outlet
2. Handle	6. Air Intake Filter
3. Inlet	7. Rubber Stand
4. Vacuum Gauge	

2. Start-Up of the Vacuum Pump

- a. Connect a fitting tubing (Inner Diameter: 8mm) to the Inlet (3).
- b. Press the Power Switch (1) to activate the vacuum suction
- c. Adjust the Regulator in order to alter the vacuum
- d. Use the vacuum gauge(4) for monitoring the pressure level

4.4.3. Operation of the V600 Vacuum Pump

1. Diagram with Descriptions



No. / Description	No. / Description
1. Handle	6. Moisture Trap
2. Outlet	7. Power Switch
3. Regulator	8. Condenser Cover
4. Vacuum Gauge	9. Rubber Stand
5. Cartridge	

2. Start-Up of the Vacuum Pump

- a. Connect a fitting tubing (Inner Diameter: 6mm) to the Inlet.
- b. Press the Power Switch (7) to activate the vacuum suction
- c. Adjust the Regulator (3) in order to alter the vacuum
- d. Use the Vacuum Gauge (4) for monitoring the pressure level

4.4.4. Operation of the V410 Vacuum Pump

1. Diagram with Descriptions



No. / Description	No. / Description
1. Outlet	6. Moisture Trap
2. Handle	7. Power Switch
3. Regulator	8. Condenser Cover
4. Vacuum Gauge	9. Air Intake Filter
5. Cartridge	10. Rubber Stand

2. Start-Up of the Vacuum Pump

- a. Connect a fitting tubing (Inner Diameter: 6mm) to the Inlet.
- b. Press the Power Switch (7) to activate the vacuum suction
- c. Adjust the Regulator (3) in order to alter the vacuum
- d. Use the Vacuum Gauge (4) for monitoring the pressure level

4.4.5. Operation of the V610 Vacuum Pump

1. Diagram with Descriptions



No. / Description	No. / Description
1. Outlet	6. Cartridge
2. Handle	7. Moisture Trap
3. Regulator	8. Power Switch
4. Inlet	9. Condenser Cover
5. Vacuum Gauge	10. Rubber Stand

2. Start-Up of the Vacuum Pump

- a. Connect a fitting tubing (Inner Diameter: 6mm) to the Inlet (4).
- b. Press the Power Switch (8) to activate the vacuum suction
- c. Adjust the Regulator (3) in order to alter the vacuum
- d. Use the Vacuum Gauge (5) for monitoring the pressure level

4.4.6. Operation of the V430 Vacuum Pump

1. Diagram with Descriptions



No. / Description	No. / Description
1. Outlet	6. Vacuum Gauge
2. Regulator	7. Side cover
3. Pressure gauge	8. Rubber Stand
4. Handle	9. Cartridge
5. Inlet	10. Moisture Trap

2. Start-Up of the Vacuum Pump

- a. Connect a fitting tubing (Inner Diameter: 6mm) to the Inlet (5).
- b. Press the Power Switch to activate the vacuum suction
- c. Adjust the Regulator (2) in order to alter the vacuum
- d. Use the Vacuum Gauge (6) for monitoring the pressure level

4.4.7. Operation of the V800 Vacuum Pump

1. Diagram with Descriptions



No. / Description	No. / Description
1. Outlet	6. Cartridge
2. Handle	7. Moisture Trap
3. Regulator	8. Power Switch
4. Inlet	9. Condenser Cover
5. Vacuum Gauge	10. Rubber Stand

2. Start-Up of the Vacuum Pump

- a. Connect a fitting tubing (Inner Diameter: 6mm) to the Inlet (4).
- b. Press the Power Switch (8) to activate the vacuum suction
- c. Adjust the Regulator (3) in order to alter the vacuum
- d. Use the Vacuum Gauge (5) for monitoring the pressure level

4.4.8. Operation of the V810 Vacuum Pump

1. Diagram with Descriptions



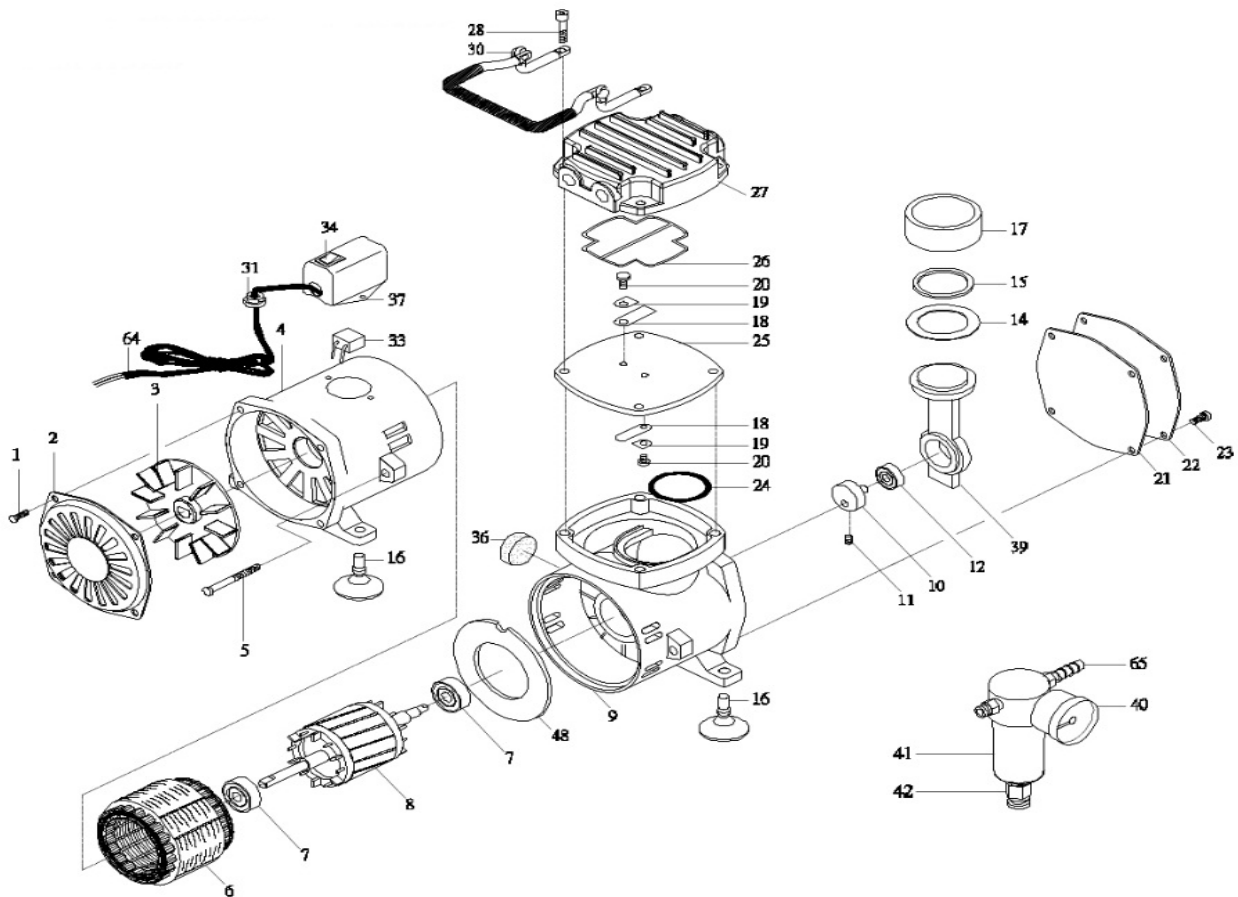
No. / Description	No. / Description
1. Outlet	6. Cartridge
2. Handle	7. Moisture Trap
3. Regulator	8. Power Switch
4. Inlet	9. Condenser Cover
5. Vacuum Gauge	10. Rubber Stand

2. Start-Up of the Vacuum Pump

- a. Connect a fitting tubing (Inner Diameter: 6mm) to the Inlet (4).
- b. Press the Power Switch (8) to activate the vacuum suction
- c. Adjust the Regulator (3) in order to alter the vacuum
- d. Use the Vacuum Gauge (5) for monitoring the pressure level

4.5. Parts List

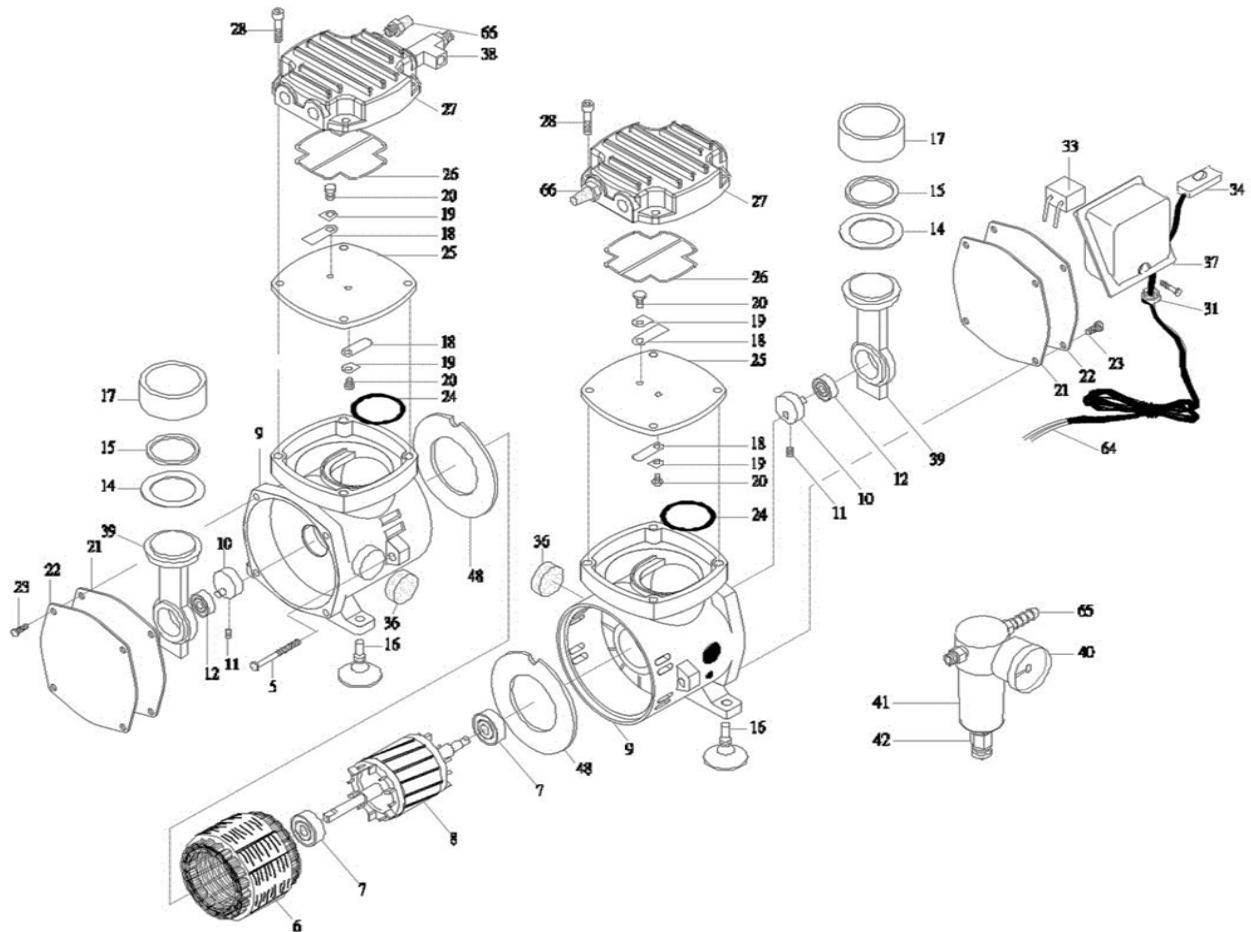
4.5.1. Part list of V300



Index	Description	Qua	Index	Description	Qua
1	Setscrew	4	6	Stationary Motor *(2P/4P)	1
2	Plastic Cover	1	7	Bearing	2
3	Cooling Fan	1	8	Rotary motor *(2P/4P)	1
4	Rear Body	1	9	Front Body	1
5	Setscrew	2	10	Counterweight	1
11	Setscrew	1	27	Cylinder Head	1
12	Bearing	1	28	Setscrew	4
14	Compression Ring	1	30	Handle	1
15	Lock Plate	1	31	Cable Protector	1

16	Rubber Stand	4	33	Condenser	1
17	Cylinder	1	34	On/Off Switch	1
18	Valve Plate	1	35	Plug	1
18-1	Valve Plate	1	36	Air Intake Filter	1
19	Valve Plate Lock	2	37	Condenser Cover	1
20	Setscrew	2	39	Connecting Rod	1
21	Paper Pad	1	40	Pressure Gauge	1
22	Front Body Lid	1	41	Moisture Trap	1
23	Setscrew	4	42	Drain Valve	1
24	O-ring	1	48	Isolation	1
25	Cylinder block	1	65	Tier Connector	1
26	O-ring	1			

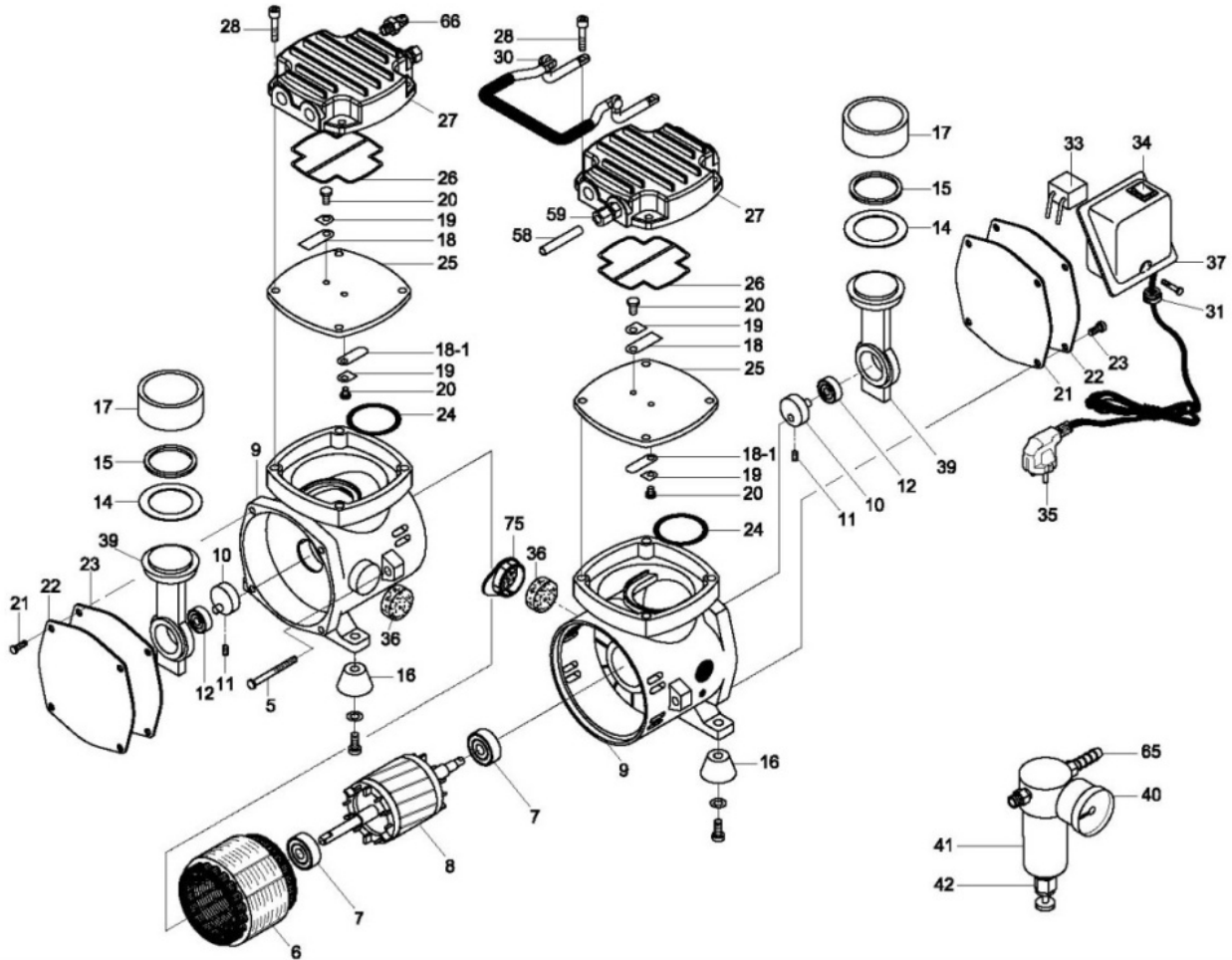
4.5.2. Part list of V400



Index	Description	Qty	Index	Description	Q'ty
5	Setscrew	2	25	Cylinder Block	2
6	Stationary Motor	1	26	O-ring	2
7	Bearing	2	27	Cylinder Head	2
8	Rotary Motor	1	28	Setscrew	8
9	Front Body	2	31	Cable Protector	1
10	Counterweight	2	24	O-ring	2
11	Setscrew	2	33	Condenser	1
12	Bearing	2	34	On/Off Switch	1
14	Compression Ring	2	35	Plug	1
15	Lock Plate	2	36	Air Intake Filter	2

Index	Description	Qua	Index	Description	Qua
1	Stationary Motor	1	25	O-ring	2
2	Bearing	2	26	Set Screw	4
3	Rotary Motor	1	27	Valve Plate Lock	4
4	Rubber Stand	4	28	Valve Plate	4
5	Clog	2	29	Cylinder Block	2
6	Front Body	2	30	O-ring	2
7	Set Screw	2	31	Cylinder Head	2
8	Counterweight	2	33	Air filter (air inlet)	1
9	Bearing	2	34	Handle	1
10	Connecting Rod	2	35	Set Screw	8
11	Paper Pad	2	36	Compression Ring	2
12	Front Body Lid	2	37	Lock Plate	2
13	Set Screw	8	38	Cylinder	2
14	Set Screw	4	39	Tier Connector	1
19	Condenser	1	40	Pressure Gauge	1
20	Plug	1	41	Moisture Trap	1
21	Cable Protector	1	42	Drain Valve	1
22	On/off Switch	1	43	Interflow Tube	2
23	Condenser Cover	1	44	Interflow union	4
24	Set Screw	1			

4.5.4. Part list of V410

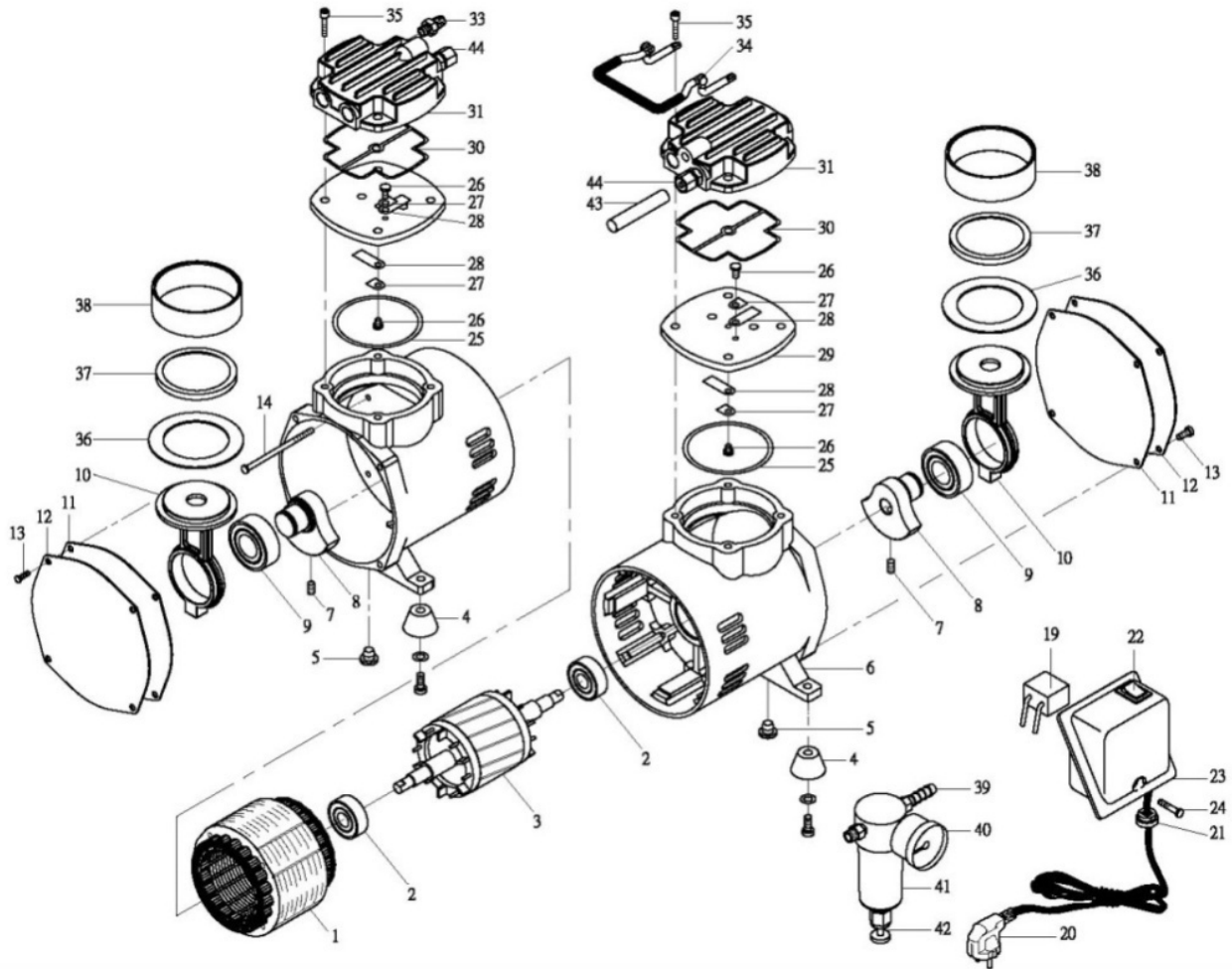


Index	Description	Qty	Index	Description	Q'ty
5	Setscrew	2	26	O-ring	2
6	Stationary Motor	1	27	Cylinder Head	2
7	Bearing	2	28	Setscrew	8
8	Rotary Motor	1	31	Cable Protector	1
9	Front Body	2	24	O-ring	2
10	Counterweight	2	33	Condenser	1
11	Setscrew	2	34	On/Off Switch	1
12	Bearing	2	35	Plug	1
14	Compression Ring	2	36	Air Intake Filter	2

Operating Manual

15	Lock Plate	2	37	Condenser Cover	1
16	Rubber stand	4	38	3-way Connector	1
17	Cylinder	2	39	Connecting Rod	2
18	Valve plate	2	40	Pressure gauge	1
18-1	Valve Plate	2	41	Moisture trap	1
19	Valve Plate Lock	4	42	Drain valve	1
20	Setscrew	4	58	Interflow tube	1
21	Paper Pad	2	59	Interflow union	2
22	Front Body Lid	2	65	Tier Connector	1
23	Setscrew	8	66	Air Filter (Air inlet)	1
25	Cylinder Block	2	75	Filter mesh	1

4.5.5. Part list of V610

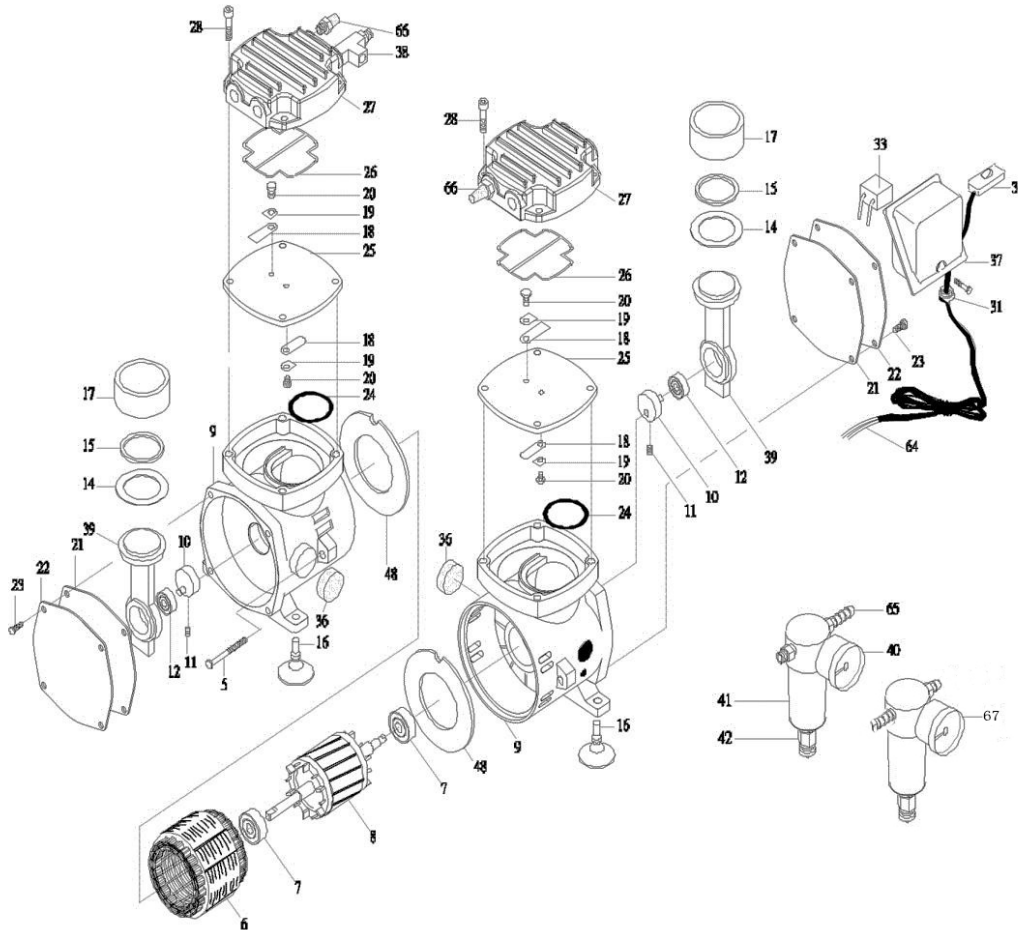


Index	Description	Qua	Index	Description	Qua
1	Stationary Motor	1	25	O-ring	2
2	Bearing	2	26	Set Screw	4
3	Rotary Motor	1	27	Valve Plate Lock	4
4	Rubber Stand	4	28	Valve Plate	4
5	Clog	2	29	Cylinder Block	2
6	Front Body	2	30	O-ring	2
7	Set Screw	2	31	Cylinder Head	2
8	Counterweight	2	33	Air filter (air inlet)	1
9	Bearing	2	34	Handle	1

Operating Manual

10	Connecting Rod	2	35	Set Screw	8
11	Paper Pad	2	36	Compression Ring	2
12	Front Body Lid	2	37	Lock Plate	2
13	Set Screw	8	38	Cylinder	2
14	Set Screw	4	39	Tier Connector	1
19	Condenser	1	40	Pressure Gauge	1
20	Plug	1	41	Moisture Trap	1
21	Cable Protector	1	42	Drain Valve	1
22	On/off Switch	1	43	Interflow Tube	2
23	Condenser Cover	1	44	Interflow union	4
24	Set Screw	1			

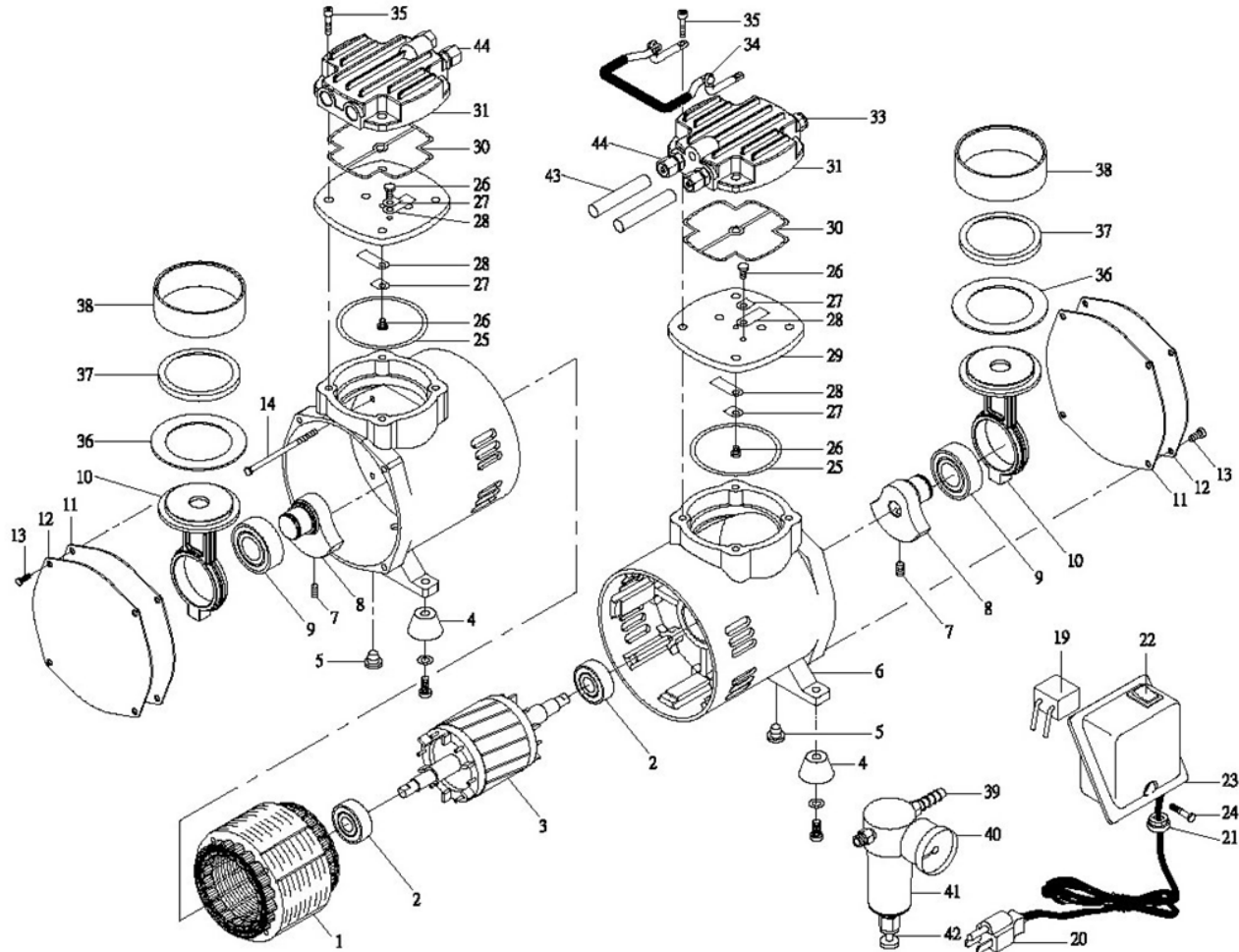
4.5.6. Part list of V430



Index	Description	Q'ty	Index	Description	Q'ty
5	Setscrew	2	24	O-ring	2
6	Stationary Motor	1	25	Cylinder Block	2
7	Bearing	2	26	O-ring	2
8	Rotary Motor	1	27	Cylinder Head	2
9	Front Body	2	28	Setscrew	8
10	Counterweight	2	31	Cable Protector	1
11	Setscrew	2	33	Condenser	1
12	Bearing	2	34	On/Off Switch	1
14	Compression Ring	2	35	Plug	1

15	Lock Plate	2	36	Air Intake Filter	2
16	Rubber stand	4	37	Condenser Cover	1
17	Cylinder	2	38	3-way Connector	1
18	Valve plate	2	39	Connecting Rod	2
18-1	Valve Plate	2	40	Pressure gauge	1
19	Valve Plate Lock	4	41	Moisture trap	1
20	Setscrew	4	42	Drain valve	1
21	Paper Pad	2	48	Isolation	2
22	Front Body Lid	2	65	Tier Connector	1
23	Setscrew	8	66	Air Filter (Air inlet)	2
			67	Pressure gauge	1

4.5.7. Part list of V800

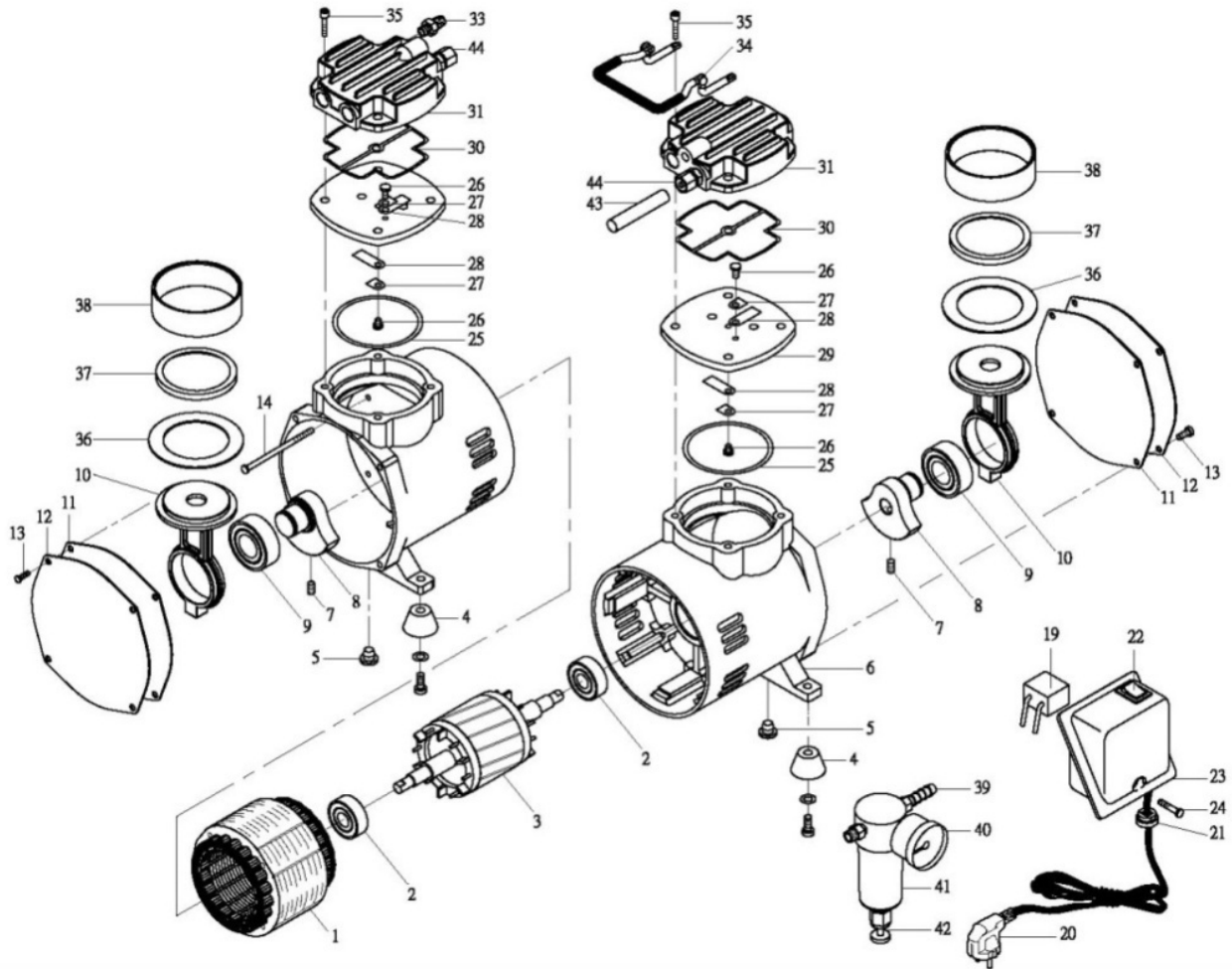


Index	Description	Qua	Index	Description	Qua
1	Stationary Motor	1	25	O-ring	2
2	Bearing	2	26	Set Screw	4
3	Rotary Motor	1	27	Valve Plate Lock	4
4	Rubber Stand	4	28	Valve Plate	4
5	Clog	2	29	Cylinder Block	2
6	Front Body	2	30	O-ring	2
7	Set Screw	2	31	Cylinder Head	2
8	Counterweight	2	33	Air filter (air inlet)	1

Operating Manual

9	Bearing	2	34	Handle	1
10	Connecting Rod	2	35	Set Screw	8
11	Paper Pad	2	36	Compression Ring	2
12	Front Body Lid	2	37	Lock Plate	2
13	Set Screw	8	38	Cylinder	2
14	Set Screw	4	39	Tier Connector	1
19	Condenser	1	40	Pressure Gauge	1
20	Plug	1	41	Moisture Trap	1
21	Cable Protector	1	42	Drain Valve	1
22	On/off Switch	1	43	Interflow Tube	2
23	Condenser Cover	1	44	Interflow union	4
24	Set Screw	1			

4.5.8. Part list of V810



Index	Description	Qua	Index	Description	Qua
1	Stationary Motor	1	25	O-ring	2
2	Bearing	2	26	Set Screw	4
3	Rotary Motor	1	27	Valve Plate Lock	4
4	Rubber Stand	4	28	Valve Plate	4
5	Clog	2	29	Cylinder Block	2
6	Front Body	2	30	O-ring	2
7	Set Screw	2	31	Cylinder Head	2
8	Counterweight	2	33	Air filter (air inlet)	1
9	Bearing	2	34	Handle	1

Operating Manual

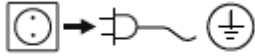
10	Connecting Rod	2	35	Set Screw	8
11	Paper Pad	2	36	Compression Ring	2
12	Front Body Lid	2	37	Lock Plate	2
13	Set Screw	8	38	Cylinder	2
14	Set Screw	4	39	Tier Connector	1
19	Condenser	1	40	Pressure Gauge	1
20	Plug	1	41	Moisture Trap	1
21	Cable Protector	1	42	Drain Valve	1
22	On/off Switch	1	43	Interflow Tube	2
23	Condenser Cover	1	44	Interflow union	4
24	Set Screw	1			

5. Cleaning and Maintenance

5.1. Routine Cleaning

The device is maintenance-free.

Cleaning



For cleaning disconnect the main plug.

Only use cleansing agents which have been recommended by WIGGENS

Before switching off the pump, flush it with air (if necessary for safety reasons: with an inert gas) for about five minutes under atmospheric conditions (ambient pressure).

Use to remove:

Dyes	isopropyl alcohol
Construction materials	isopropyl alcohol/water containing surfactant
Cosmetics	isopropyl alcohol/water containing surfactant
Foodstuffs	water containing surfactant
Fuels	water containing surfactant

- Do not allow moisture to get into the appliance when cleaning.
- Wear protective gloves when cleaning the devices.
- Before using another than the recommended method for cleaning or decontamination, the user must ascertain with WIGGENS that this method does not destroy the instrument.



Note:

- Do not use chlorine bleach, chlorine-based cleanser, abrasives, ammonia, steel wool or scouring pads with metal content or similar harsh solvents or abrasives. These may damage the surface of the instrument.
- When cleaning, make sure that no liquids enter the inside of the housing.

5.2. Maintenance

Neglecting maintenance and inspection can cause poor performance and pump failure.

To remove debris accumulated in the vacuum pump, operate the pump several times for 3-5 seconds (once a day) with its inlet open to atmospheric air (or open the purge gas valve if one is installed).

Allow the pump to cool down before doing maintenance. Performing maintenance immediately after shutdown can cause bodily injury such as burns.

Switch off electric source

Be sure to switch off the electrical power before maintenance or inspection. Failure to do so can cause bodily injury from electric shock or rotating objects.

More frequent maintenance is required if the ambient temperature is too high. The maintenance interval is based on 5 - 40 °C ambient temperature and 25 °C average yearly temperature.

Shorten the maintenance interval if the ambient temperature is higher. Otherwise, the pump may fail prematurely.

The maintenance schedule assumes that the pump is exposed to clean gas only.

You must shorten the maintenance interval when pumping vapour since vapour temperature, disposal volume, disposal frequency and substances in the vapour influence the pump's operation.

6. Transport and Storage

Whenever you send us equipment, indicate whether the equipment is contaminated or is free of substances which could pose a health hazard. If it is contaminated, specify exactly which substances are involved. You must use the form we have prepared for this purpose.

A copy of the form has been reproduced at the end of these Operating Instructions: "Declaration of Contamination for Compressors, Vacuum Pumps and Components".

***WIGGENS TO PREPARE AND ATTACH

Attach the form to the equipment or enclose it with the equipment.

This statement detailing the type of contamination is required to satisfy legal requirements and for the protection of our employees.

We must return to the sender any equipment which is not accompanied by a contamination statement.

The pump must be packed in such a way, that it will not be damaged during shipping and so that any contaminants are not released from the package.

Waste Disposal

The pump may be contaminated by the process or by environmental influences. In this case it must be decontaminated in accordance with the relevant regulations.

Contaminated parts can be detrimental to health and environment. Before beginning to work, find out whether any parts are contaminated. Adhere to the relevant regulations and take the necessary precautions when handling contaminated parts.

Separate clean components according to their materials, and dispose of accordingly.






CAUTION!


Failure to clean, maintenance, and handle the pump as outlined can lead to damages or be harmful to the health.


7. Accessories and Spare Parts

7.1. Non-Chemical-Resistant Filtration Device/ Foot Pedal


Model	Description	Order No.
	Non-Chemical-Resistant Filtration Device Set 1(incl. pressure gauge)	167300-05
 Non-Chemical-Resistant Filtration Device	Non-Chemical-Resistant Filtration Device Set 2 (does not incl. pressure gauge)	167300-06
 Foot Pedal	Applicable to C and V Series Vacuum Pumps	167200-41


7.2 Tubing

Model	Description	Order No.
	Outer Diameter: 6 mm Inner Diameter:4mm Thickness:1mm	68010-01

Heat Shrink Tubes	Length:1m	
	Outer Diamete: 8 mm Inner Diameter:6mm Thickness:1mm Length:1m	68011-01
	Outer Diamete: 12 mm Inner Diameter:6mm Thickness:3mm Length:1m	68012-01
	Outer Diamete: 10 mm Inner Diameter:8mm Thickness:1mm Length:1m	68013-01
	Outer Diamete: 12 mm Inner Diameter:10mm Thickness:1mm Length:1m	68014-01
 Silicon Tubes	Outer Diamete: 12 mm Inner Diameter:6mm Thickness:3mm Length:1m	168020-01
	Outer Diamete: 14 mm Inner Diameter:8mm Thickness:3mm Length:1m	168021-01
	Outer Diamete: 16 mm Inner Diameter:10mm Thickness:3mm	168022-01

	Length:1m	
--	-----------	--

	<p>CAUTION!</p> <p>For safety and guarantee reasons only original accessory parts are to be used!</p>
---	--

	<p>Note:</p> <p>Length upon request (min. 1 m)</p> <p>For more information about Accessories please contact your local supplier</p>
---	---

8. Service

8.1 . Trouble-Shooting

Cause	Remedy
<p>The pump does not react after turning on the On / Off Switch</p>	<ol style="list-style-type: none"> 1. Ensure that the mains electricity plug is plugged into a working socket outlet and check if the on / Off Switch is in the “on” position. 2. If the On / Off Switch is in the “on” position, release the vacuum, disconnect the pump from the power source and let the pump cool down, and investigate the reason for overheating 3. After cooling down, connect the pump to the power source and try again 4. If there is no reaction after several attempts, please contact the WIGGENS support.
<p>The pump does not reach the designated</p>	<ol style="list-style-type: none"> 1. Check if all tubing is tight and if there is a leakage at any point

ultimate vacuum	<ol style="list-style-type: none"> 2. Disconnect the pump from all other sources, connect it directly to a vacuum controller / vacuum gauge, and block the gas intake 3. If the pump still does not reach the designated ultimate vacuum, please contact the WIGGENS support. Valve plates, or seal rings might be worn out.
-----------------	--



WIGGENS reserves the right to carry out technical modifications with repairs for providing improved performance of the instrument.

8.2. Warranty

In accordance with *WIGGENS* warranty conditions, the warranty period is 24 months. For claims under the warranty please contact your local dealer. You may also send the machine direct to our works, enclosing the delivery invoice and giving reasons for the claim. You will be liable for freight costs. The warranty does not cover wearing parts, nor does it apply to faults resulting from improper use or insufficient care and maintenance contrary to the instructions in this operating manual.

WIGGENS reserves the right to decide the validity of any warranty claim. In case of faults arising either due to faulty materials or workmanship, parts will be repaired or replaced free of charge.

Any other compensation claims, such as consumables, damages caused by corrosion or accidental breakage, are excluded from this guarantee.

This warranty may only be altered by a specifically published amendment. No individual has authorization to alter the provisions of this warranty policy or its amendments.

8.3. Contact/Technical Service

If your device is not working properly:

⇒ Please inform *WIGGENS* Instruments by using our contact information.

You have contacted *WIGGENS* Instruments?

- ⇒ Copy and complete the Conformation of condition of unit from these operating instructions.
- ⇒ Please repack the device appropriately for transport and send to *WIGGENS* Instruments together with the Confirmation of condition of unit.

Our contact details

Room 303, Hall C, Office Building M8, No. 1 Jiuxianqiao East Road, Chaoyang District, Beijing 100015, China
Tel: +86 400-809-2068
Fax: +86 400-809-2068-112
info@ wiggens.com
service@wiggens.com
www.wiggens.com

Confirmation of condition of unit

- ⇒ In the case of repair, copy and complete the Conformation of condition of unit and send it to *WIGGENS* Instruments.

1. Details about the unit

Product number _____
Serial number _____
Reason for repair _____

2. Has the device been cleaned, decontaminated/sterilized?

_____ Yes _____ No _____

3. Is the unit in a condition which does not represent any health threats for the staff of our service department?

_____ Yes _____ No _____

If not, which substances has the unit come into contact with?

4. Legally binding declaration

The customer is aware of being legally liable to *WIGGENS* Instruments for any damages arising from

incomplete and incorrect information.

Date

Signature

Company stamp

Please note

The shipper is responsible for the return of the goods in well packed condition, suitable for the mode of transport.

Sender information

Name, first name

Company

Department, research group Street

Zip code, city

Country

Phone

E-mail
