

QUMA Headspace sampler QHSS®-42

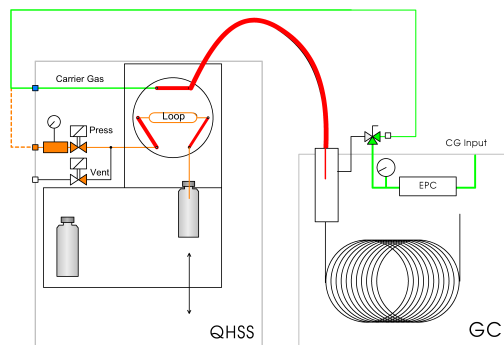
Automatic headspace sampler for 42 samples.

The QHSS®-42 works in compare to some other sampler not with a syringe it works with a gas sampling valve for injection.

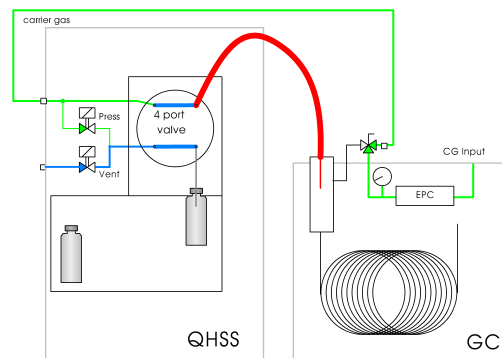
The valve with sample loop temperature-steadily up to 350 °C, in this way we can be sure to have no memory effects (e.g. with high boiling point polar components).

System description:

- screw on crimp vials are usable.
- 20 or 10 ml HSS vials standard.
- Electric actuated 6-way injection valve (VICI) with 1 ml sample loop temperature-steadily up to 350 °C.
- Automatic samples recognition.
- Heated incubation oven for 12 samples (40°C- 200°C, 1°C-steps) with integrated shaker.
- Carrier gas controlled direct from the GC.
- AUX gas controlled by the QHSS®-111.
- The QHSS®-40 can be connected to different GCs by a flexible transfer line („fused silica“ transfer line can be installed easily).
- All parameter can be storage in 9 files.
- „MHE“ technology with <250 steps and single penetration (of the injection needle) is possible.
- Communication via RS-232, BCD sample code, ready- and start relays.
- Dimensions approx. W x H x D: 29 x 40 x 60 cm³



Model „Sample Loop“ (Standard)



Model PAI „Press and Inject“ (optional)

Main difference to model „Press and Inject“

Injection system works with each column pressure
No problem to install with a lot of EPC GCs

Main difference to model „sample loop“

Gas valve works for millions of injections without attrition
Vials after injection without pressure
Very sensitive (particular for 100ml Vials)

Order number (Sample Loop): Q040.001
Order number (Press and Inject): Q040.100